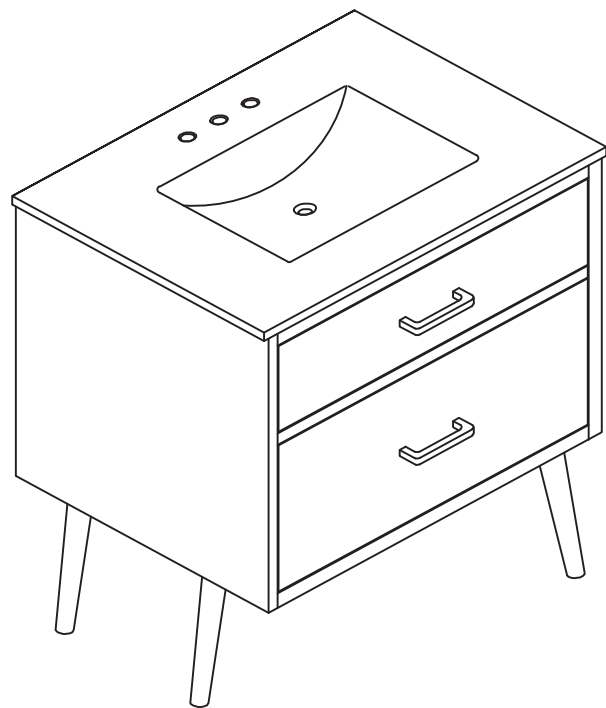


ASSEMBLY INSTRUCTIONS

VF41030WH / VF41030WB / VF41030MBL

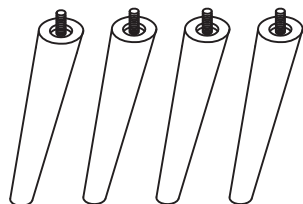
VF41030MGN

for free standing application

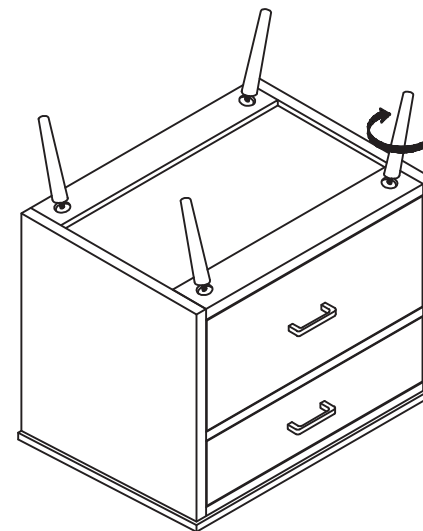


Parts list

LEG x4



Step 1



warning: Use two people to lift the vanity. Upon turning over the vanity upright, do not allow pressure to apply to one single leg or one single side.

Finished

